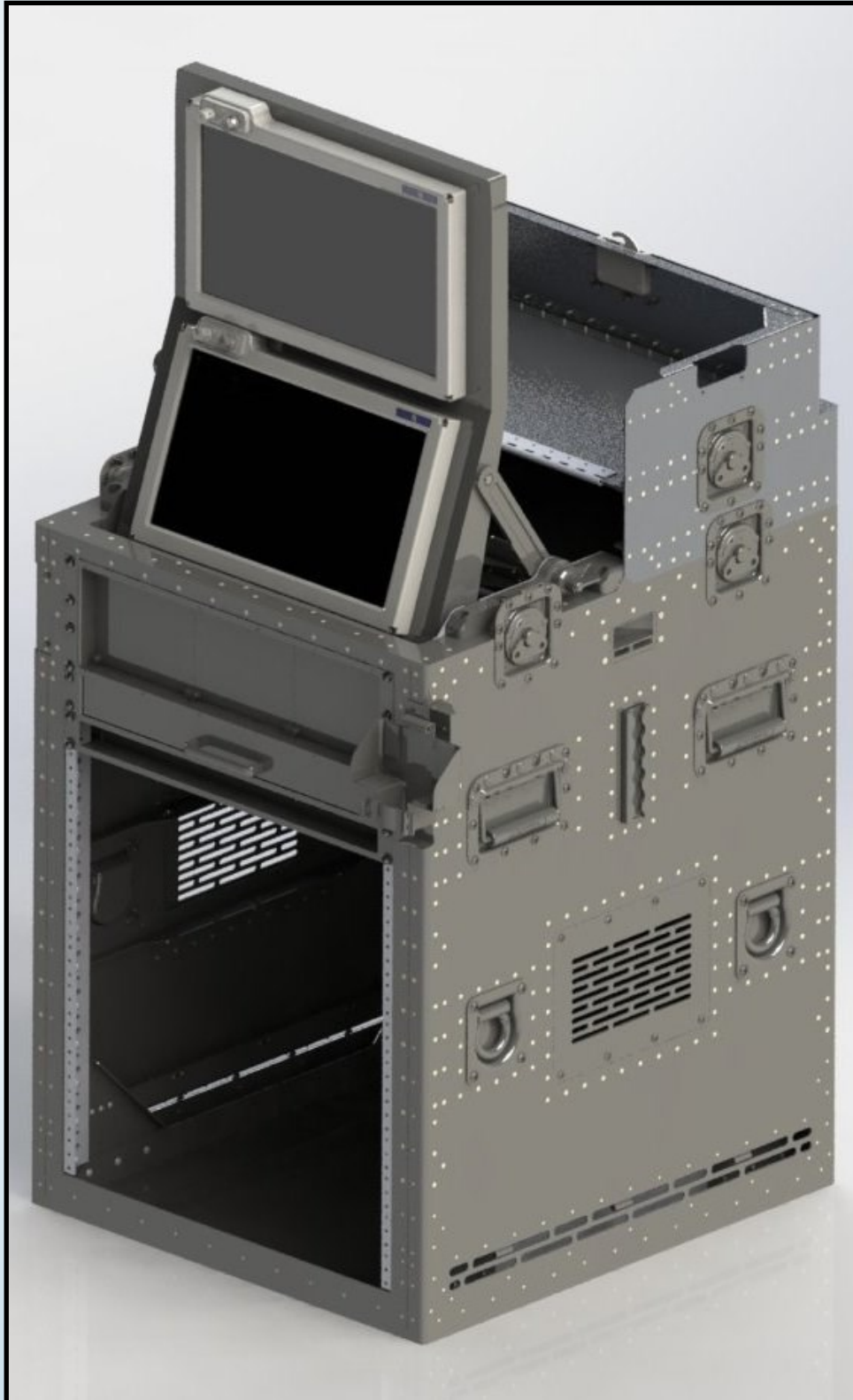


# Universal Mission Console

The AirMods Universal Mission Console provides airborne sensor operators with a quick-deployable, modular solution for fielding test and control equipment on virtually any platform.



## Operator-Requested Features:

Dual 15-inch over/under monitors, deployable and retractable with a guided strut and locking features.

15U of rack space for rack-mounted equipment

Rack-mounted adapter with three 4.5" high bays of Dzus-mounted equipment

Rack-mounted adapter for up to 16 aircraft circuit breakers

Rack-mounted COTS pull-out keyboard or table.

Side tie-downs for tethering to aircraft structure or a shipping pallet.

Side mounted seat track sections for miscellaneous mounting.

Two hand-lifting handles on each side.

Optional left or right mounting provisions for equipment hand controllers.

**AirMods** LLC

### Unprecedented Versatility:

Console can be easily pre-populated in a lab and shipped off-site on a pallet or in a Pelican case.

Includes a solid ½" aluminum base plate that can be drilled to mount to any aircraft seat track or floor fastener configuration.

Ambidextrous design for left or right side mounting and operation.

Back wall includes removeable blank panels that can be cut to fit electrical disconnects and cooling fans.

Side vent grills are removable for wiring access.

Interior includes nutplates for wiring clamps.

All rack-mounted components can be repositioned, added or removed.

Opened monitor covers can be locked to top of console, mounted to either side of the console, or removed altogether.



### Materials:

Riveted sheet metal and machined aluminum construction.

Available finishes: Alodine/primer/urethane paint, black anodize or black powder coated.

Envelope dimensions (without hand controller bracket):

23.7W x 25.2D x 50.3H (extended)

23.7W x 25.2D x 35.2H (stowed)

Please call for pricing, details and options.



AirMods LLC

[www.AirMods.com](http://www.AirMods.com)

[info@airmods.com](mailto:info@airmods.com)

719-596-4649

1563 Vapor Trail, Colorado Springs, CO 80916

***AirMods***<sub>LLC</sub> The logo for AirMods LLC features the company name in a bold, italicized sans-serif font. The letters 'LLC' are smaller and positioned below the 's'. A thick black arrow curves from the bottom right of the 's' upwards and to the right.